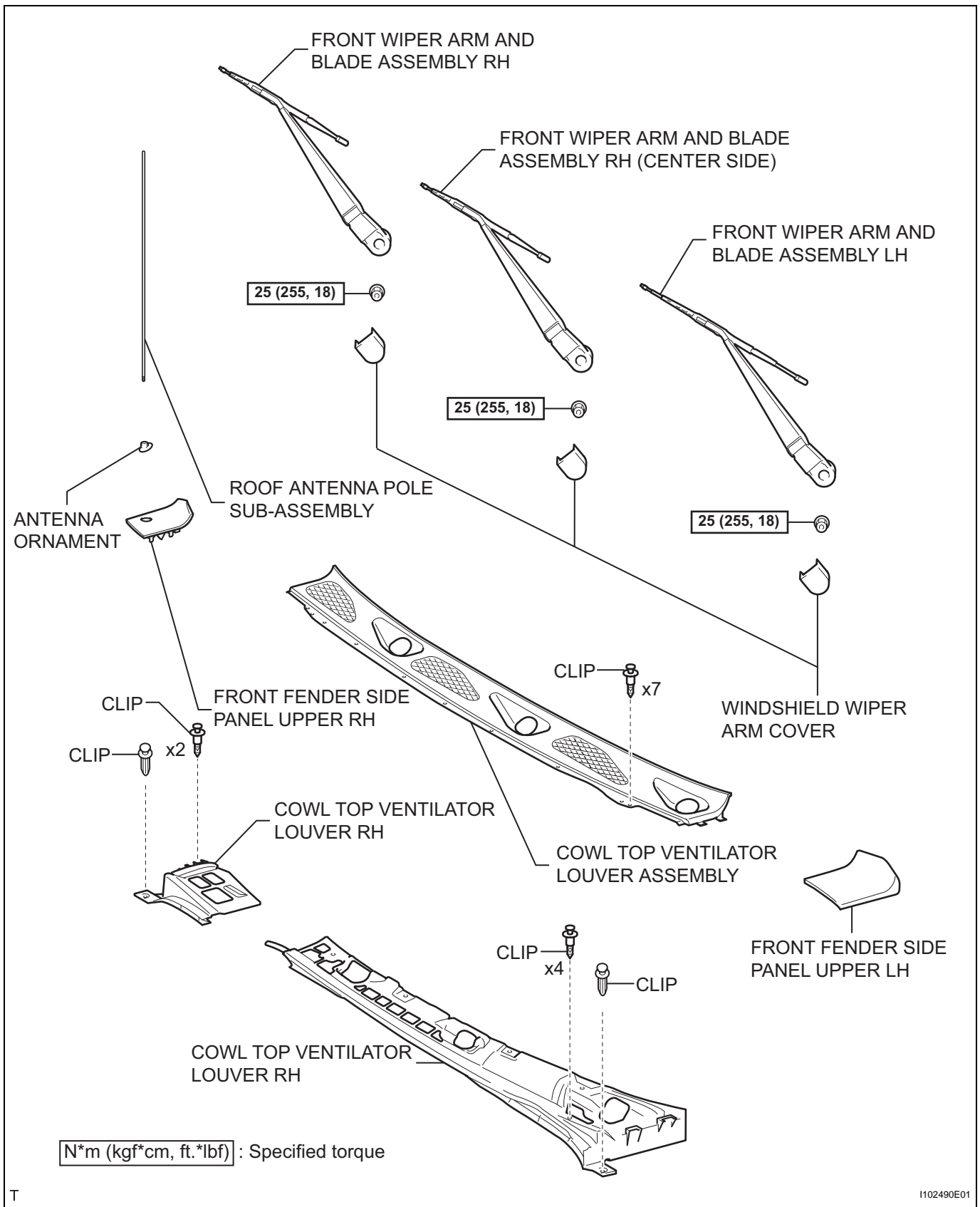


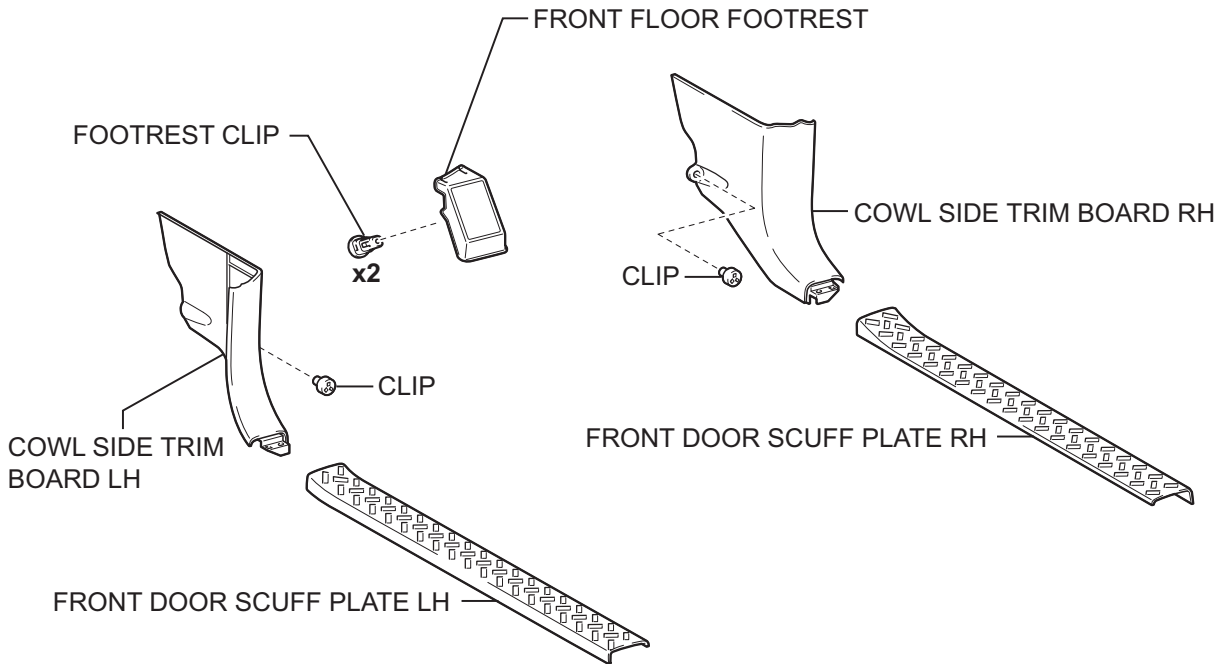
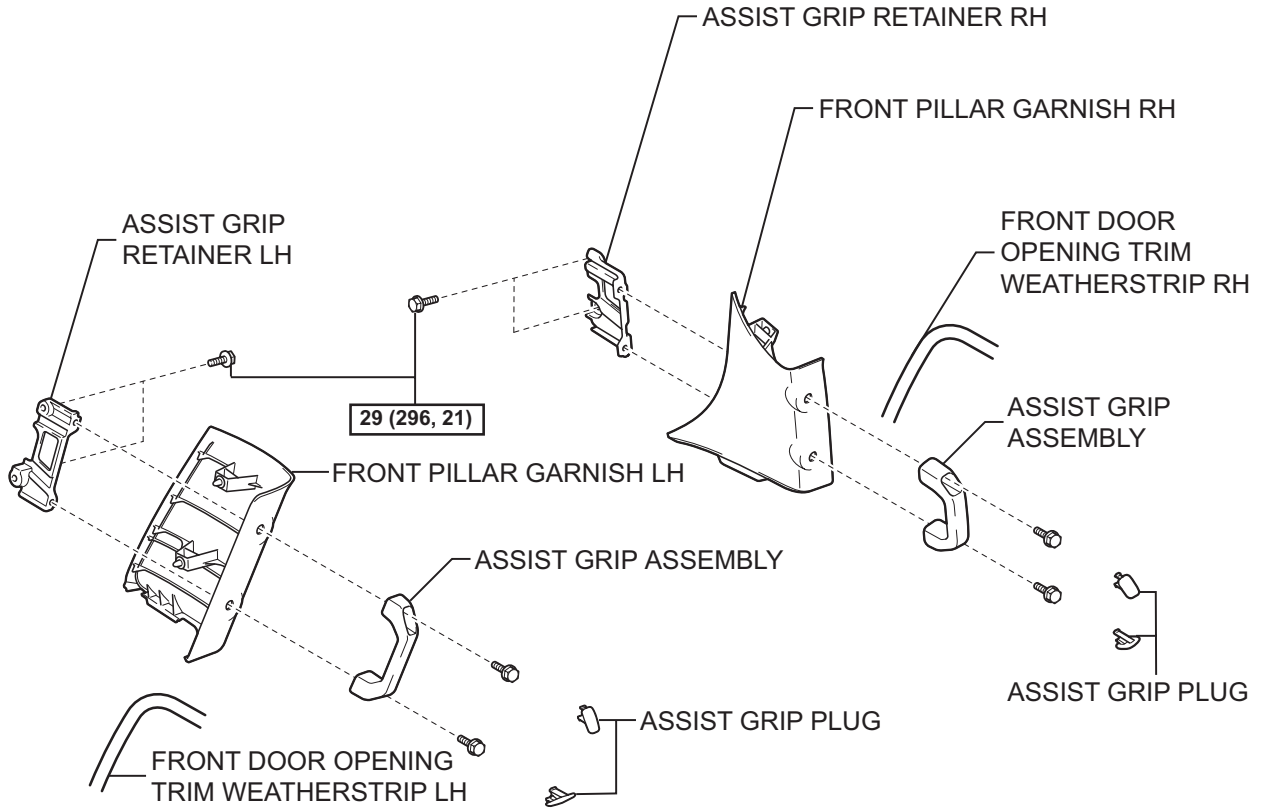
BLOWER UNIT

COMPONENTS

AC

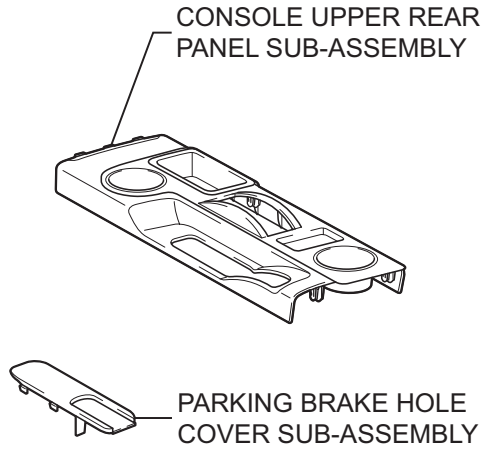


AC

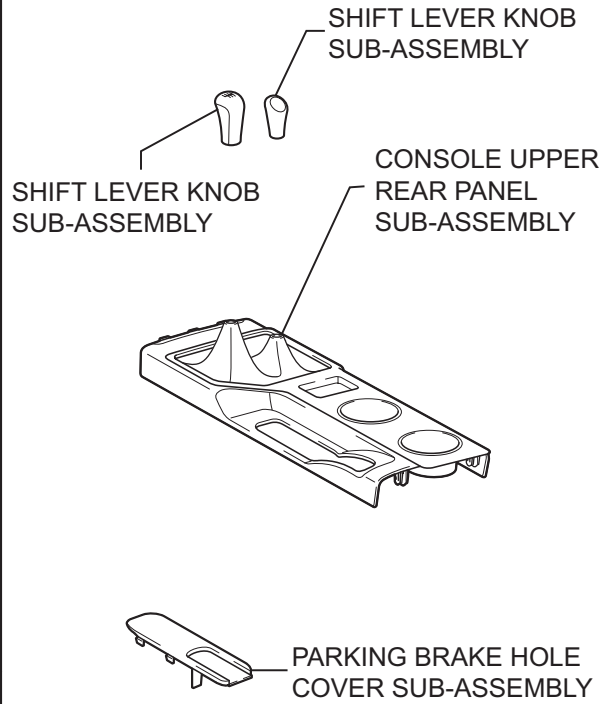


N*m (kgf*cm, ft*lbf) : Specified torque

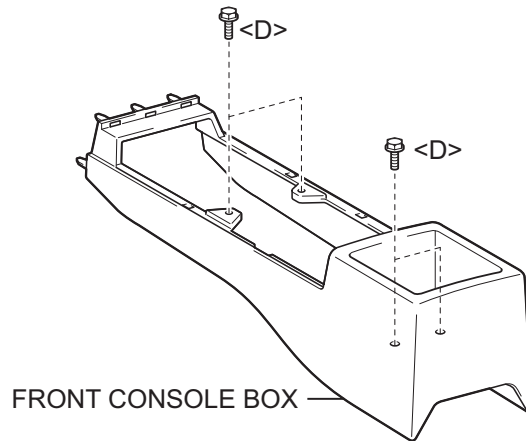
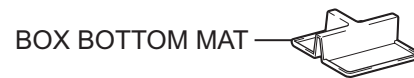
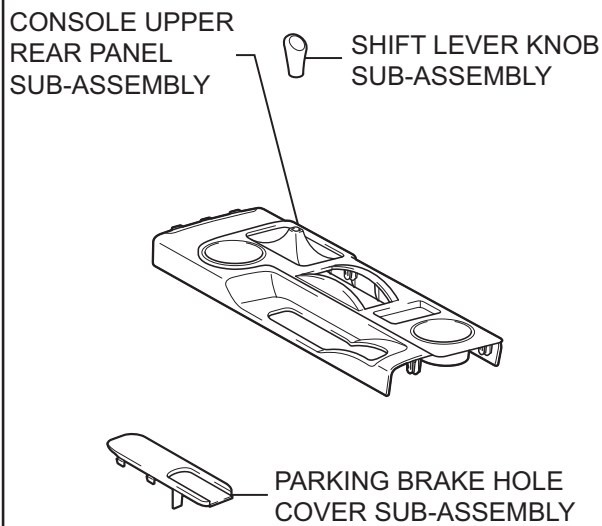
for Automatic Transmission 2WD:



for Manual Transmission 4WD:

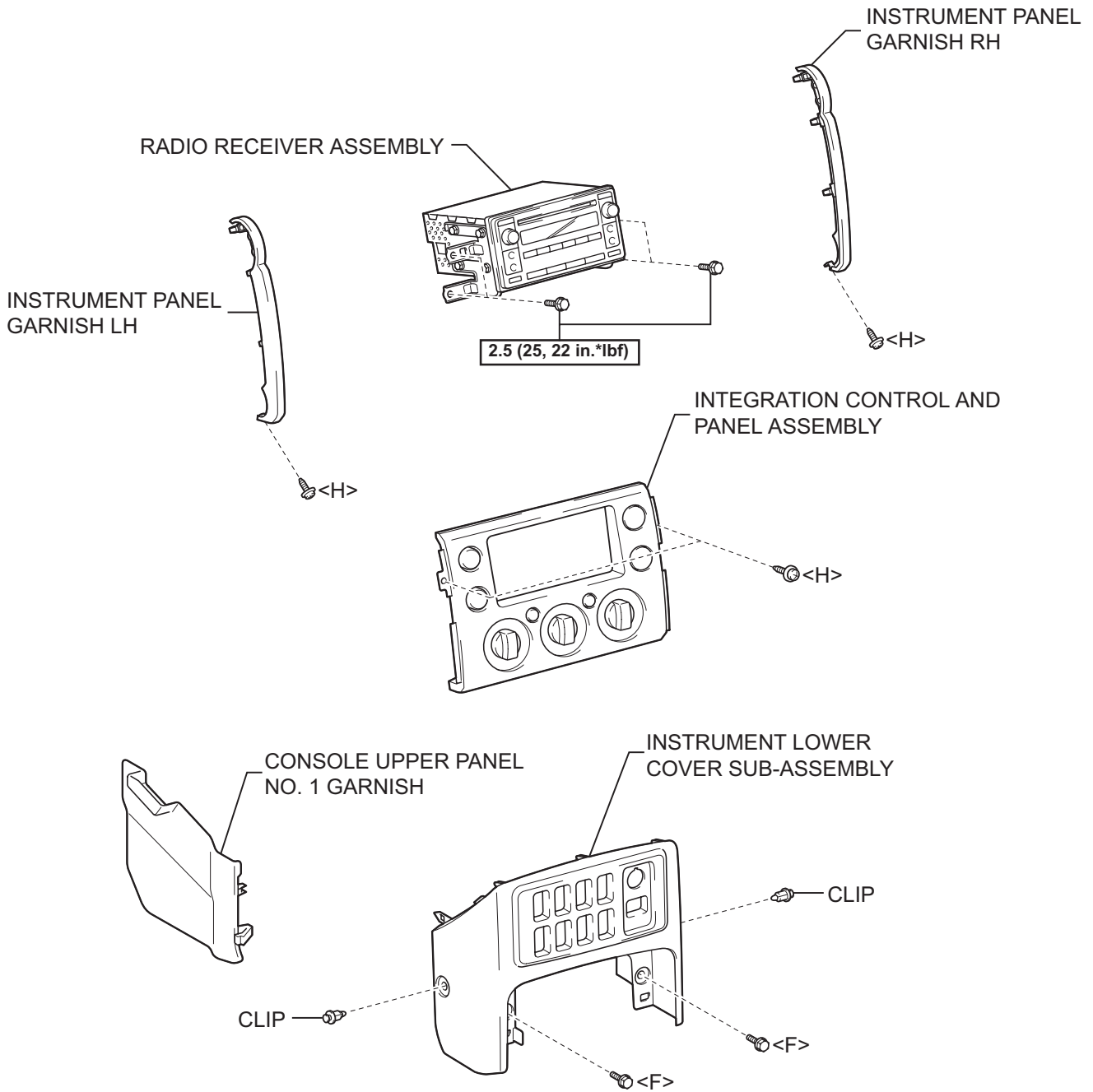


for Automatic Transmission 4WD:



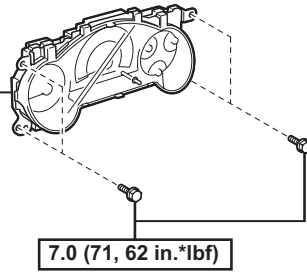
AC

AC

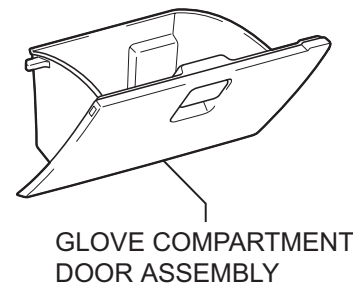
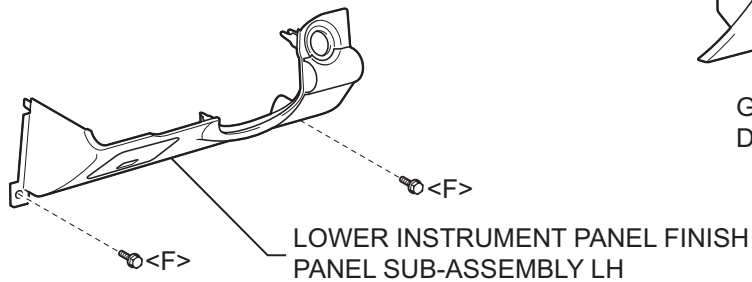
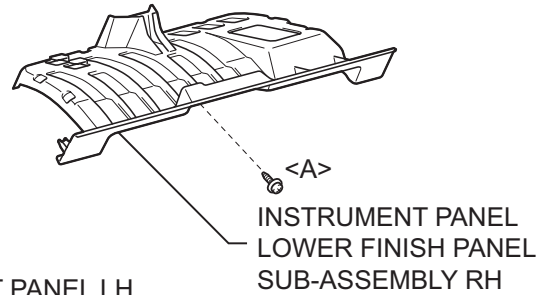
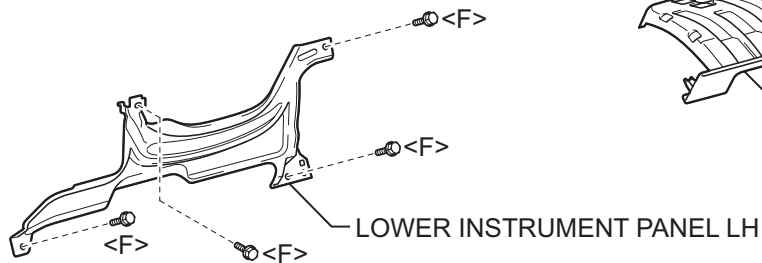
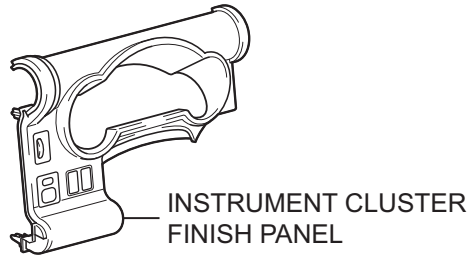
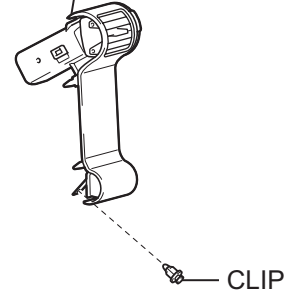


N*m (kgf*cm, ft*lbf) : Specified torque

COMBINATION METER ASSEMBLY



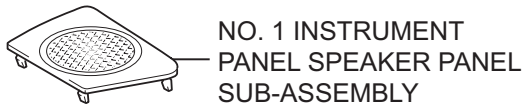
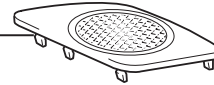
NO. 2 INSTRUMENT PANEL REGISTER ASSEMBLY



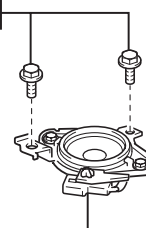
N*m (kgf*cm, ft.*lbf) : Specified torque



NO. 2 INSTRUMENT PANEL SPEAKER
PANEL SUB-ASSEMBLY

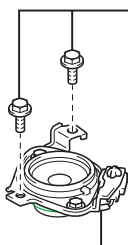


2.5 (25, 22 in.*lbf)

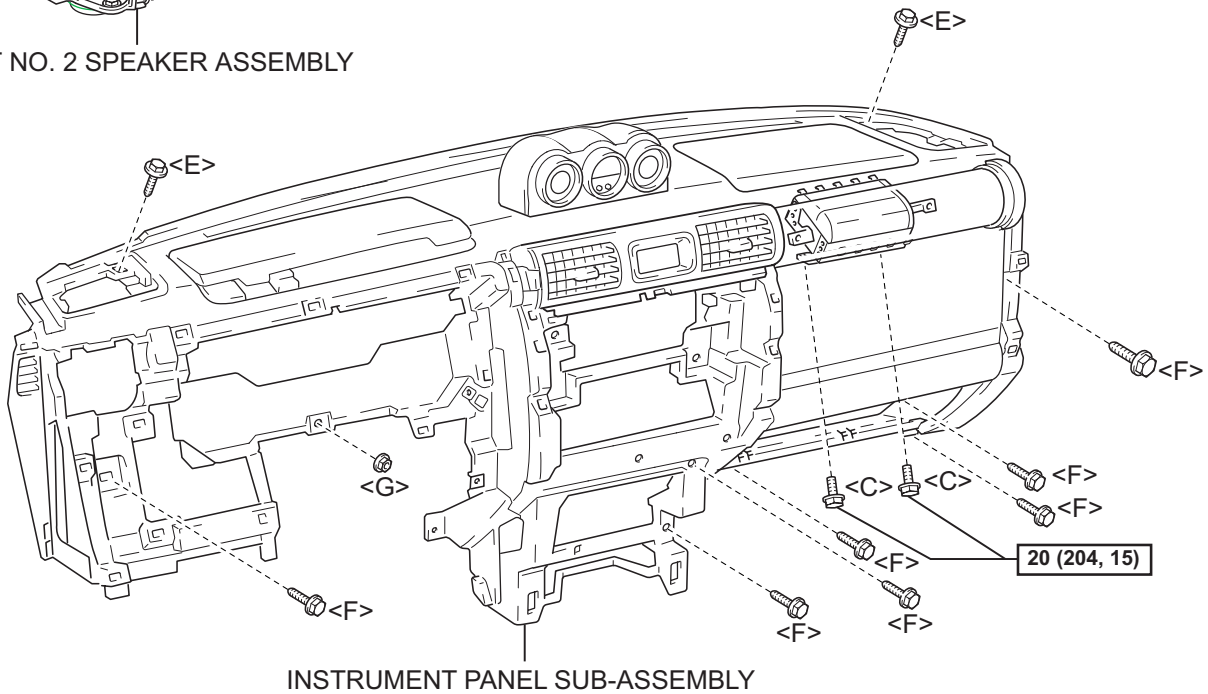


FRONT NO. 2 SPEAKER ASSEMBLY

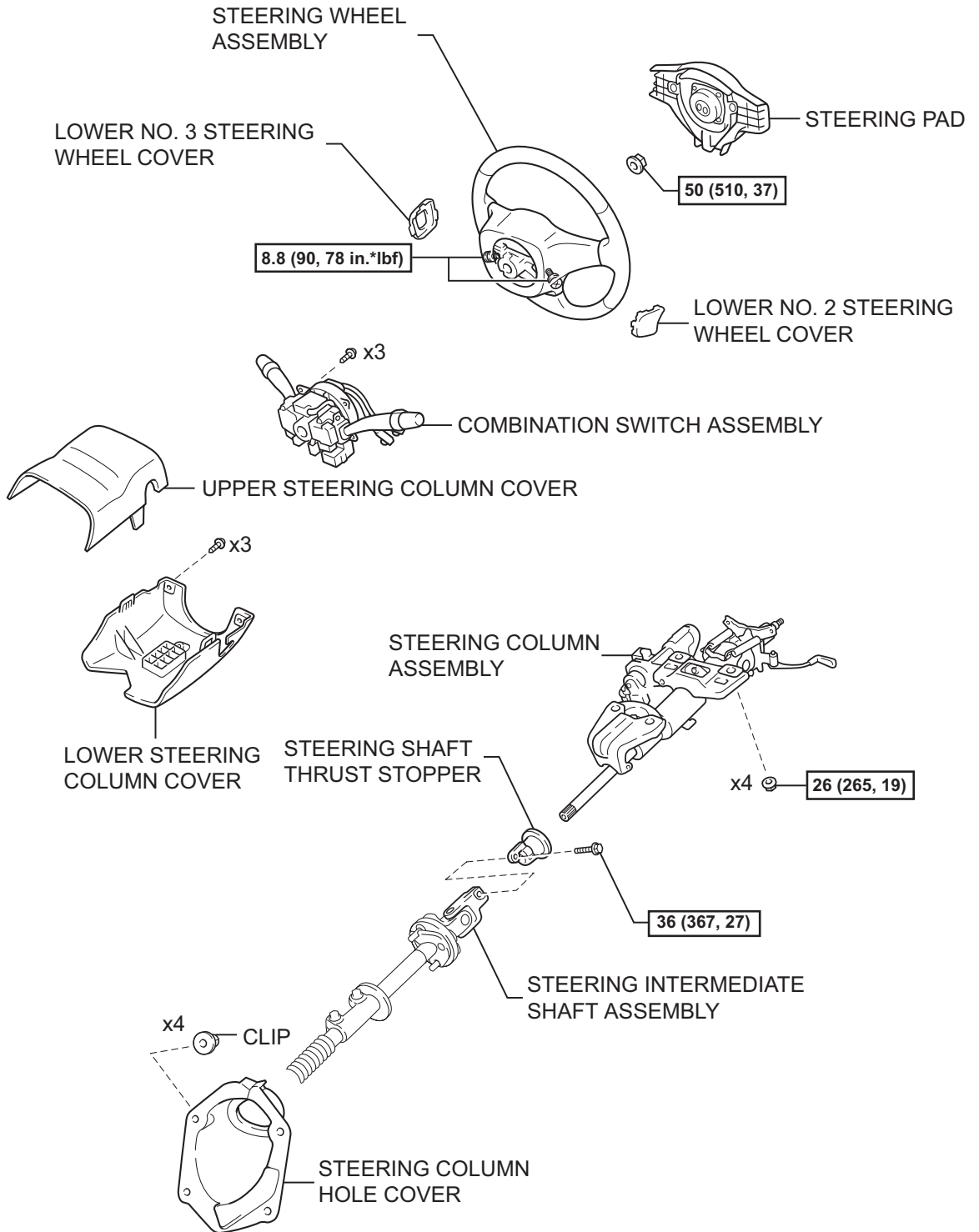
2.5 (25, 22 in.*lbf)



FRONT NO. 2 SPEAKER ASSEMBLY



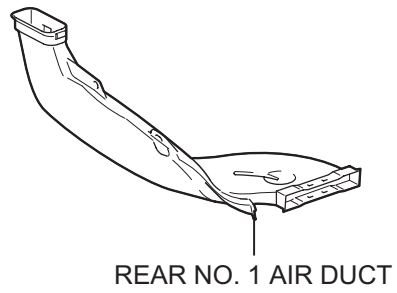
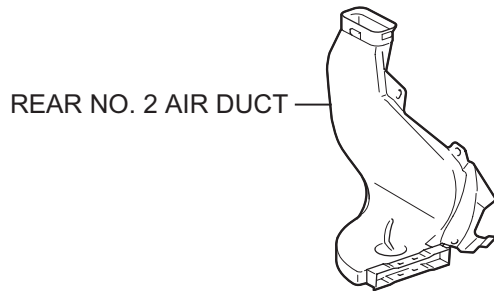
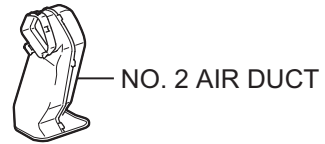
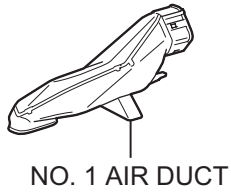
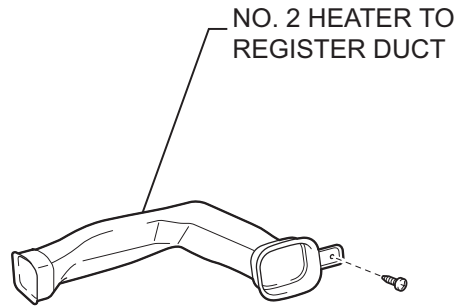
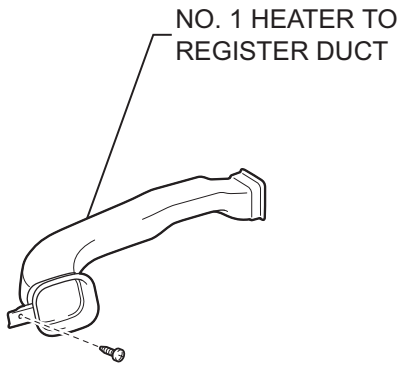
N*m (kgf*cm, ft*lbf) : Specified torque

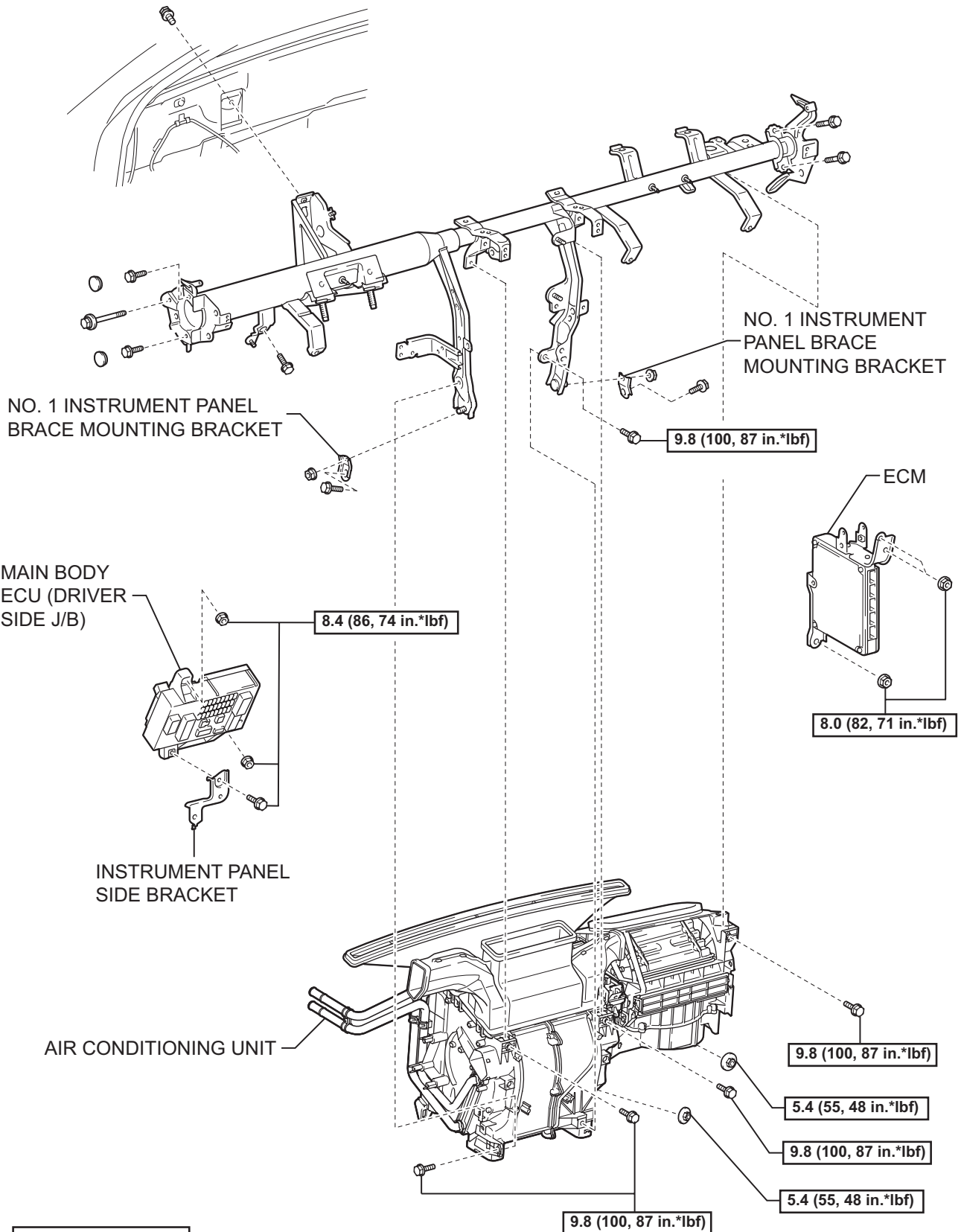


AC

N*m (kgf*cm, ft.*lbf) : Specified torque

AC





AC

